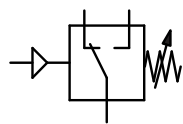


Pressure Switch with Adjustable Hysteresis for PCB, Type "Airtrol"® F4000 / F4400

Description	High-precision pressure and vacuum switch with electrical outlet signal. The microswitch satisfies UL and CSA regulations. Polysulphone of the body approved by National Sanitation Foundation. The switch also complies with FDA regulations and is suitable for water and food products.		
Media	compressed air, non-corrosive gases or liquids		
Switch contact	micro SPDT switch, covered by plastic cap		
Contact load	15 A at 230 V AC, 1.2 A at 125 V DC	see chart, consultation needed for AT1004	
Electrical connector	3 A or 4 A at 230 V AC, 0.187" (4.75 mm) quick connector for Molex connector	see chart	
Repeatability	± 2% FS	for F4000 and AT1004	
Certifications	CSA-certified and UL-listed	for F4400	
Switching time	25 ms		
Mounting position	any		
Temperature range	4 °C to 66 °C / 40 °F to 150 °F		
Material	Body: polysulphone	Spring: stainless steel	
	Diaphragm: polyurethane	Media non-contact parts: nylon, carbon fibre nylon, acetal	



4 ... 12 mbar / 7 bar
-7 ... -170 mbar / -1 bar

Description	Contact rating	Hysteresis typical max.	Over-pressure max. bar	Measurement range off on	Order number
	max. A	mbar mbar	max. bar	mbar/bar mbar/bar	

Pressure and vacuum switch					with adjustable hysteresis nylon fitting, Ø 1/16", Ø 2 mm	F4000	
pressure switch	15	-	-	1	4 ±1*1 mbar	6 ±1*1 mbar	F4000- 10B80
	15	-	-	1	4... 12 mbar	6... 40 mbar	F4000- 20B80
	15	-	-	1	4... 37 mbar	8... 150 mbar	F4000- 30B80
vacuum switch	15	-	-	-1	-70...-380 mbar	-135...-500 mbar	F4000- X B80



F4000-30B80

Pressure switch for PCB					with small hysteresis nylon fitting, Ø 1/16", Ø 2 mm	F4400
pressure switch	3	7	14	2	0.014 ... 0.14 bar	F4400- 2B80
	4	14	24	2	0.035 ... 0.35 bar	F4400- 5B80
	4	30	41	3	0.035 ... 1.0 bar	F4400- 15B80
	4	40	70	4	0.035 ... 2.1 bar	F4400- 30B80
	4	100	170	8	0.035 ... 4.2 bar	F4400- 60B80
vacuum switch	4	140	240	8	0.070 ... 7.0 bar	F4400-100B80
	4	10	20	-1	-0.007 ... -0.17 bar	F4400-X 5B80
	4	20	34	-1	-0.015 ... -0.34 bar	F4400-X10B80
	4	30	50	-1	-0.050 ... -1.00 bar	F4400-X30B80



F4400-100B80

Pressure switch, factory-set			nylon fitting, ± 10% tolerance Ø 1/16", Ø 2 mm	AT1004
pressure switch	switching point to be indicated in clear text	4...43 mbar		AT1004-... B80

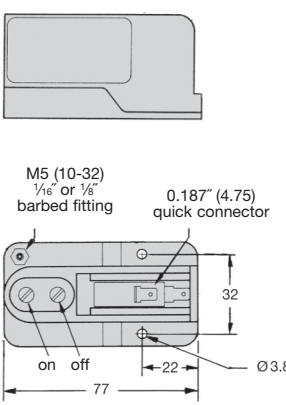


AT1004-17

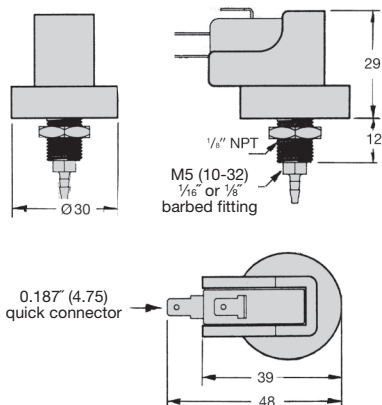
Special options, add the appropriate letter				
barbed fitting	made of	nylon, Ø 1/16", Ø 4 mm	F4. 00- ... B85	
		polysulphone, Ø 1/16", Ø 2 mm	F4. 00- ... P80	
		polysulphone, Ø 1/8", Ø 4 mm	F4. 00- ... P85	
gold contact	0.1 A at 125 V AC		F4. 00- ... 1B	
factory-set switch point	± 5%, switching point to be indicated in clear text		F4. 00- ... X	
free of grease and oil	specialy cleaned, suitable for oxygen		F4. 00- ... L	



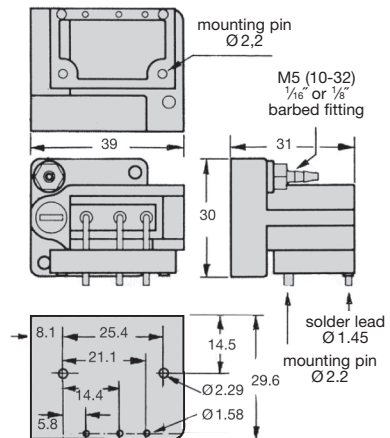
cover cap for switch supplied



F4000



AT1004



F4400

*1 not adjustable